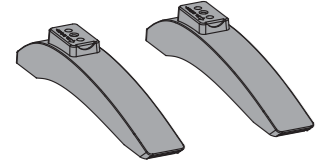


## INCLUDED ACCESSORIES

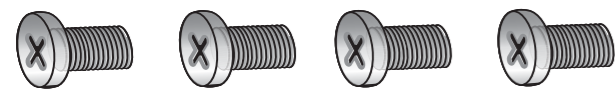
Remote control and two AAA batteries



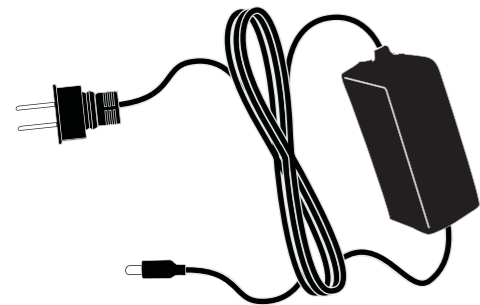
TV stands



M4 screws (14 mm length) (4 pcs.)



Power adapter



**FIND YOUR USER GUIDE ONLINE!**  
Go to [www.insigniaproducts.com](http://www.insigniaproducts.com), then click **Support & Service**. Enter **NS-32D420NA16** in the box under **Manual, Firmware, Drivers & Product Information**, then click ▶.

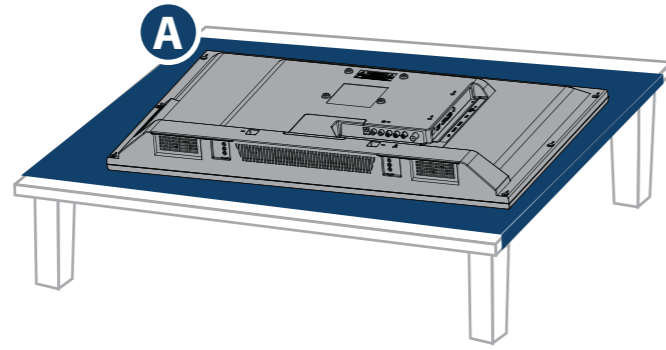
**STOP**  
Do not plug your power cord in until all other devices have been connected.

## 1 START HERE

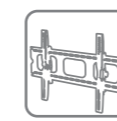
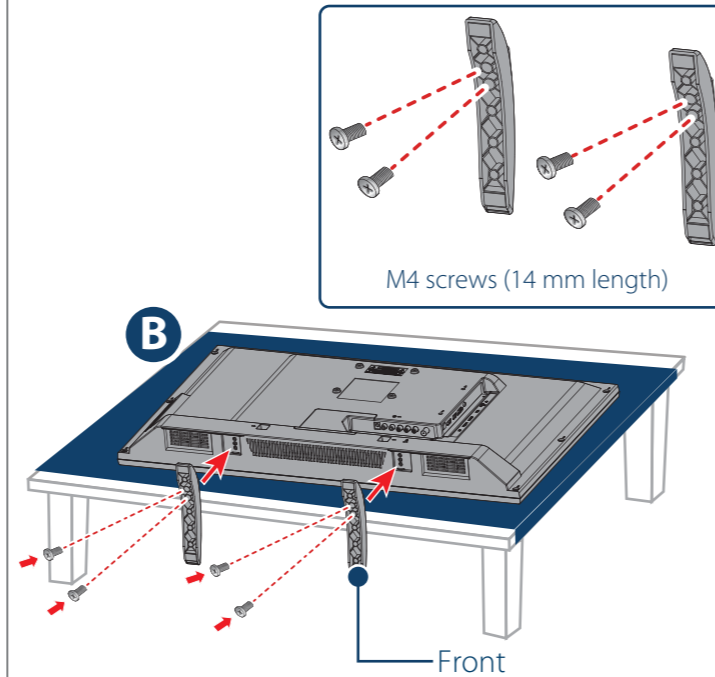
How do I attach the stand to my TV? (not for wall mounting)

**You'll need:** Soft surface and Phillips screwdriver

**A** Carefully place your TV face-down on a cushioned, clean surface.



**B** Align the screw holes on the TV stands with the holes on the back of your TV, then secure each stand to your TV with two of the provided screws.

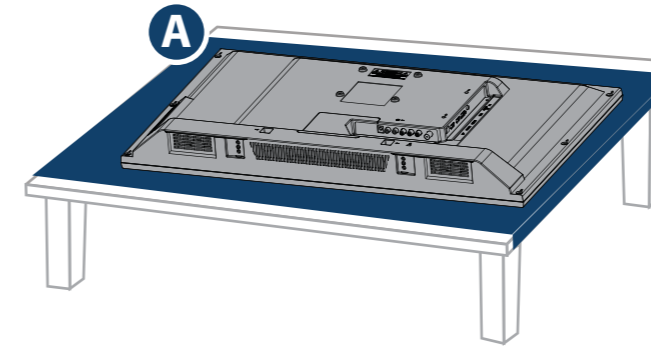


## WALL MOUNT

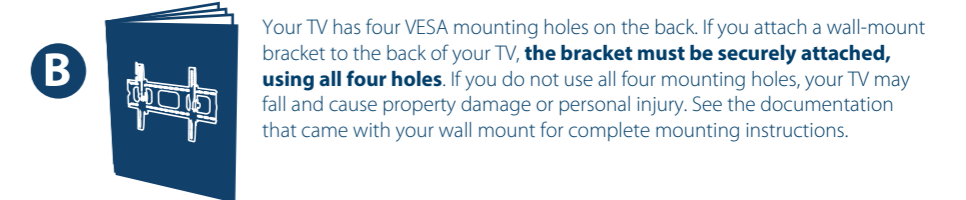
How do I prepare my TV for wall mounting? (not for use with a TV stand)

**You'll need:** Soft surface and Phillips screwdriver

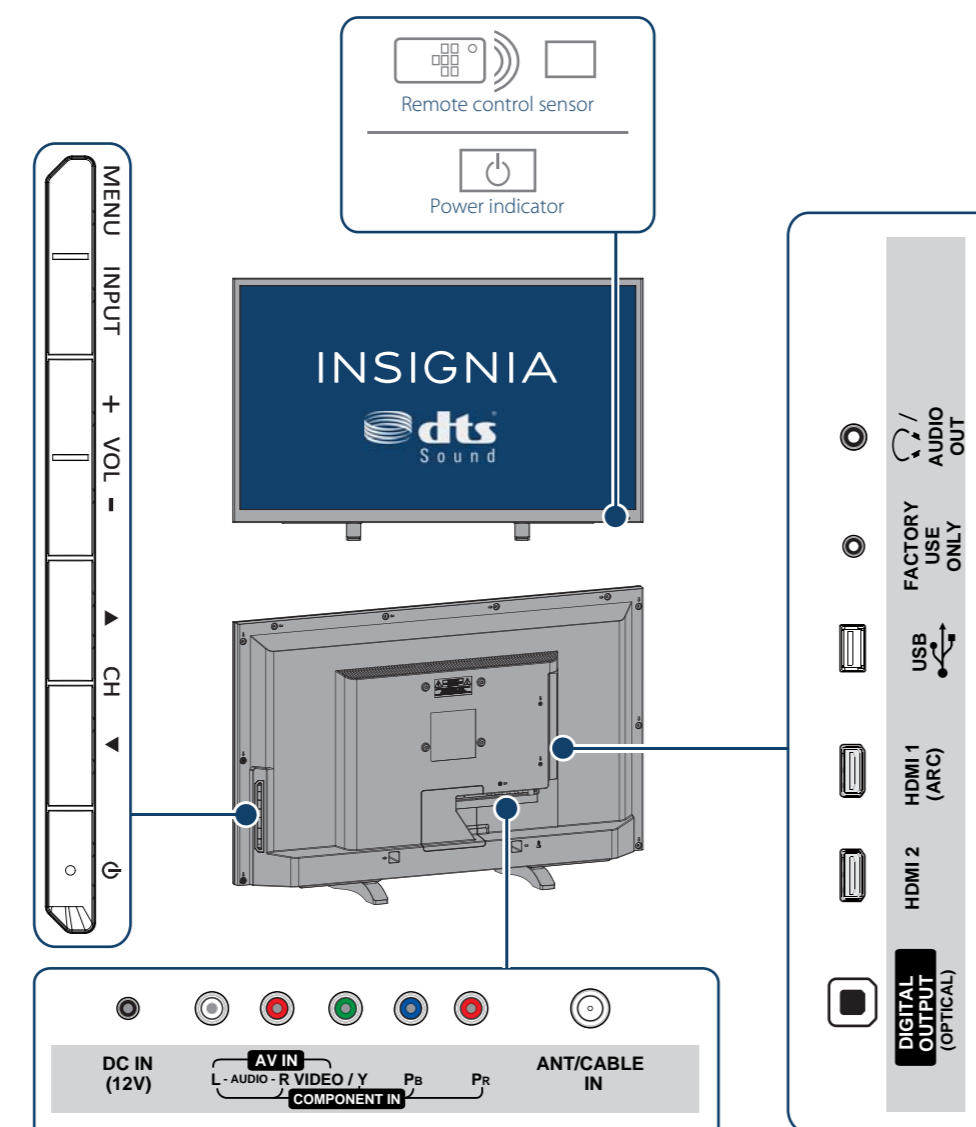
**A** Carefully place your TV face-down on a cushioned, clean surface.



**B** See the instructions that came with your wall mount for more information about how to correctly mount your TV.



## FEATURES



**Note:** Images do not necessarily represent the exact design of your television.

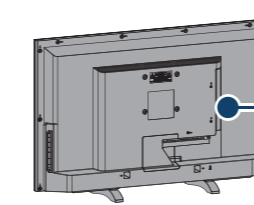
Before using your new product, please read these instructions to prevent any damage.

## 2 MAKING CONNECTIONS

How do I watch TV (cable, satellite, or antenna) or connect a device such as a DVD or Blu-ray disc player, game console, or tablet?

### WHICH CABLES DO YOU HAVE?

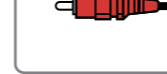
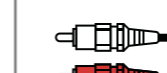
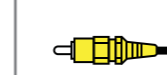
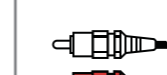
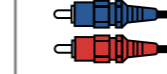
**HDMI (BEST)**  
Best video quality



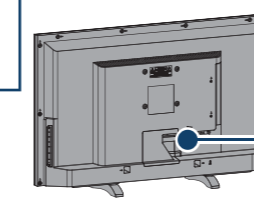
**Multi-purpose jacks:** You can plug any device that uses HDMI into either HDMI jack. However, certain devices must be connected to the **ARC** jack. See the instructions that came with your ARC device for more information.



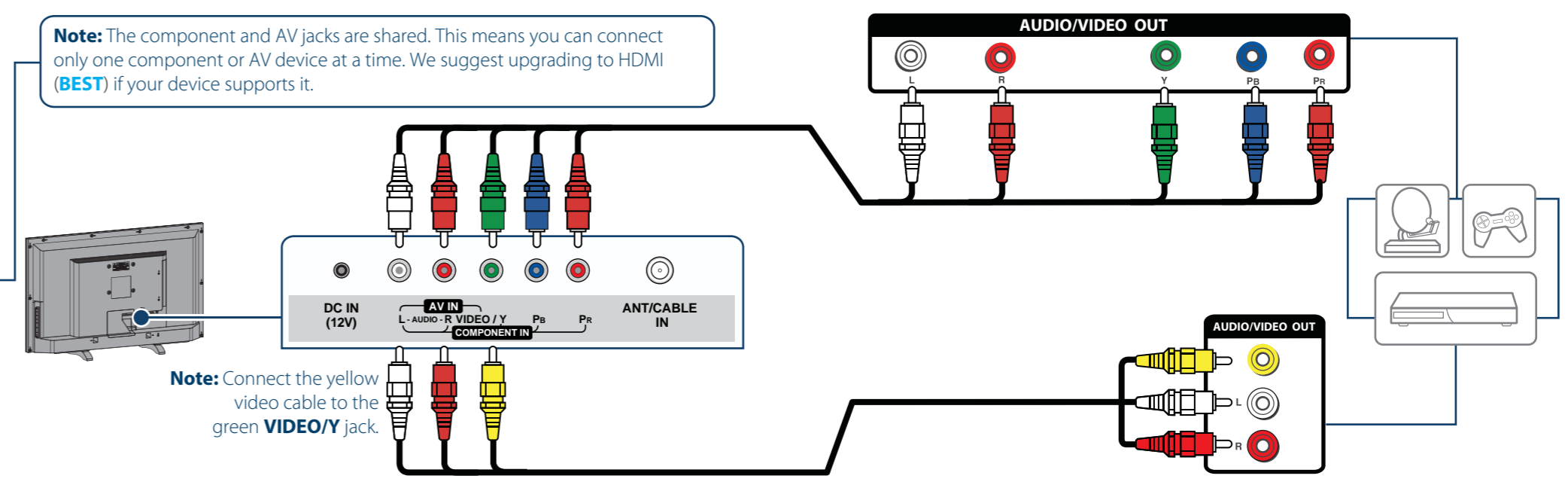
### COMPONENT (BETTER)



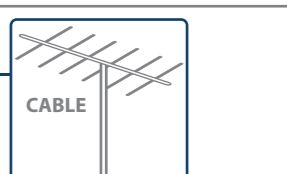
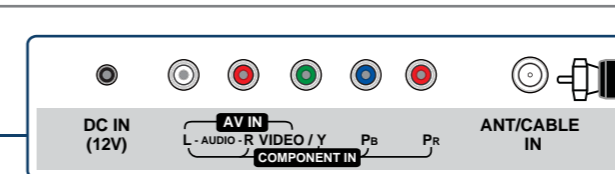
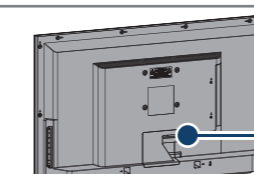
**Note:** The component and AV jacks are shared. This means you can connect only one component or AV device at a time. We suggest upgrading to HDMI (BEST) if your device supports it.



**Note:** Connect the yellow video cable to the green VIDEO/Y jack.



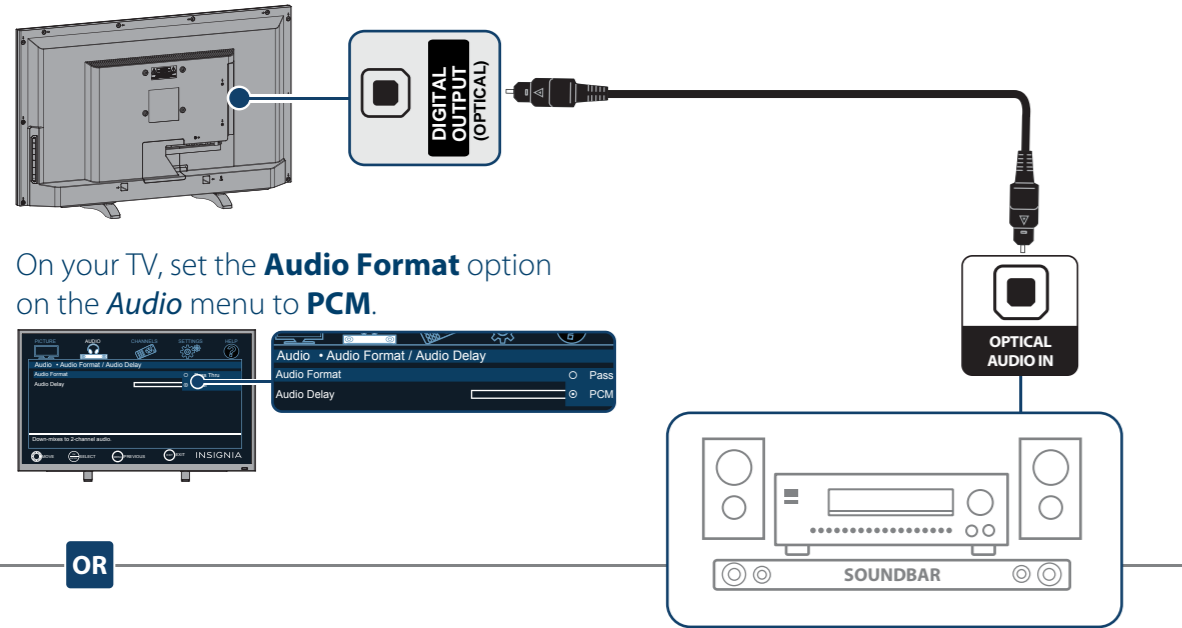
### COAXIAL (GOOD)



### 3 CONNECTING AUDIO DEVICES

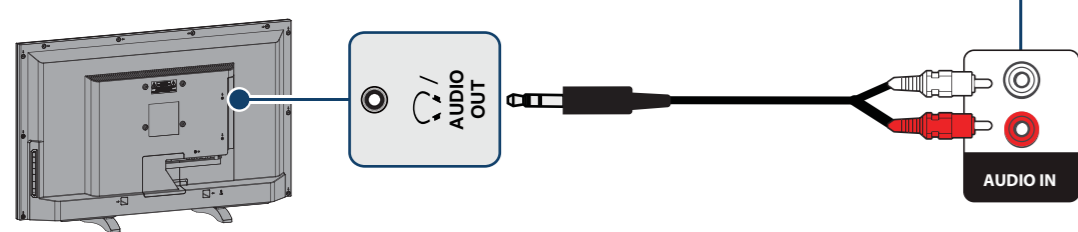
How do I connect my TV to external speakers?

#### USING DIGITAL AUDIO



**Note:** See the instructions that came with your speakers for more information.

#### USING ANALOG AUDIO

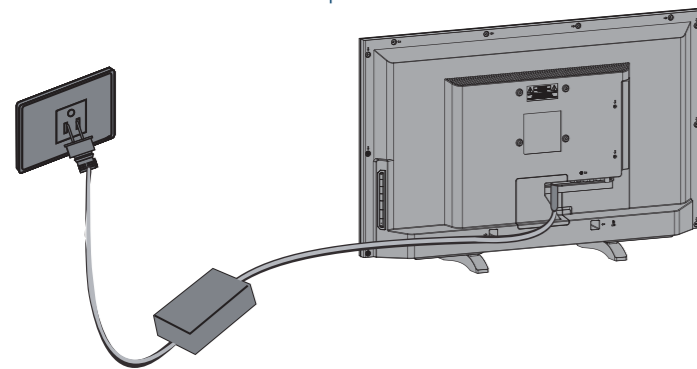


### 4 TURNING ON MY TV

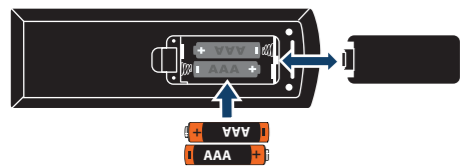
When can I turn on my TV?

#### WHEN YOUR TV IS IN PLACE:

- 1 Plug one end of the power cord into the **DC IN** connector on the back of your TV and the other end into a power outlet.



- 2 Remove the remote control cover and install the batteries.



- 3 Press (power) on your remote control.

- 4 Follow the on-screen instructions.



### USING YOUR REMOTE CONTROL

**INPUT SOURCE**

- TV
- HDMI1
- HDMI2
- Component/AV
- USB(Photos)

- Power**: Turns your TV on or off.
- INPUT**: Opens the **INPUT SOURCE** list.
- Recall**: Returns to the previous channel.
- Arrows**: Navigate in TV menus.
- Home**: Opens the TV menus.
- INFO\***: Opens a TV status banner.
- CCD**: Turns closed captioning on or off.
- MUTE**: Mutes the sound.
- Channel**: Changes the TV channels.
- Game**: Adjusts the picture for the ultimate gaming experience.
- PICTURE**: Selects the video mode.
- AUDIO**: Selects the audio mode.
- Numbers**: Enter channel numbers.
- MENU**: Opens the TV menu.
- ENTER**: Confirms selections or changes.
- EXIT**: Closes the TV menu.
- ASPECT**: Changes how the picture is displayed on the screen.
- Volume**: Changes the volume.
- FAVORITE**: Opens the Favorite Channel List.
- SLEEP**: Sets the sleep timer.
- Media Controls**: USB: Control the photo slideshow. INlink: Control HDMI-CEC devices connected to your TV.

**What are my screen-size options?**

- NORMAL**: Original aspect ratio is preserved. You might see black bars if the original content is not widescreen (16:9).
- ZOOM**: Expands the image to fill the screen. The top and bottom of the image may be cropped.
- WIDE**: Use to watch content that was recorded in widescreen (16:9).
- CINEMA**: Stretches the image at the edges, but keeps a clear image in the center.
- AUTO**: Automatically adjusts the image based on the screen size and the TV program. Select this option if you don't know which aspect ratio to choose.

**Note:** **Auto** is only available when **Auto Aspect Ratio** in the **Channels** menu is set to **On**.

#### I already have a universal remote control. How do I make it control this TV?

If you already have a universal remote control that you would like to program to work with your TV and don't want to use the included Insignia remote control, see the table for common codes.

UNIVERSAL REMOTE TV CODES	
CABLE BOX, SATELLITE BOX, OR OTHER SET-TOP BOX	
<b>Cablevision</b>	068, 069, 078, 096, 100, 164, 168, 229, 026
<b>Charter</b>	2002, 1204, 1423, 1517, 0171, 1963, 0463, 1463, 0842, 1326, 167, 415, 424, 450, 456, 461, 507, 523, 567, 577, 586
<b>Comcast</b>	10171, 11204, 11326, 11463, 11517, 11641, 11780, 11785, 11892, 11963, 12002
<b>Cox</b>	1326, 1463
<b>Direct TV</b>	10171, 11204, 11326, 11517, 11564, 11641, 11963, 12002
<b>Dish Network</b>	720
<b>Time Warner</b>	400, 450, 461, 456, 10463, 1463, 0463
<b>Tivo</b>	0091
<b>Verizon</b>	0198, 0490
UNIVERSAL REMOTE CONTROLS	
<b>One for All</b>	0054
<b>Philips</b>	0198, 0490
<b>RCA</b>	135
<b>Sony</b>	068, 069, 078, 096, 100, 164, 168, 229, 026



For an up-to-date list of codes for other cable providers and universal remote brands, scan this **QR code** or visit [www.insigniaproducts.com/remotecodes](http://www.insigniaproducts.com/remotecodes)

**ONE-YEAR LIMITED WARRANTY**  
Visit [www.insigniaproducts.com](http://www.insigniaproducts.com) for details.

**NEED ADDITIONAL HELP?**  
See your online **User Guide!** This comprehensive guide includes everything from basic how-to steps to more advanced features. A copy of your **User Guide** is not provided in the box but is available online. Go to [www.insigniaproducts.com](http://www.insigniaproducts.com), then click **Support & Service**. Enter **NS-32D420NA16** in the box under **Manual, Firmware, Drivers & Product Information**, then click ▶.

Check out our **Support Community** <http://community.insigniaproducts.com/> for helpful information from other Insignia TV owners.

**WE'RE HERE FOR YOU**  
[www.insigniaproducts.com](http://www.insigniaproducts.com)  
For customer service, call:  
**877-467-4289** (U.S./Canada)

INSIGNIA is a trademark of Best Buy and its affiliated companies. Registered in some countries. Distributed by Best Buy Purchasing, LLC 7601 Penn Ave South, Richfield, MN 55423 U.S.A. ©2014 Best Buy. All rights reserved. Made in China